



Tolomeo Micro med bordklemme

The space-saving alternative to the table lamp with foot. This filigree, classic design made of light aluminium is screwed onto a desk with a stable table clamp. It shines a zoned, soft light, which is highly suitable for VDU workstations with little space. Maximum flexibility is provided by the adjustable arm with a sophisticated spring balance system and the lamp head which rotates in all directions. In normal use, an area of approximately 40cm x 40cm is illuminated. The switch on the cable makes it convenient to operate. And that is not all: it also offers a hint of ambient lighting which softly illuminates the ceiling through a small opening in the head of the lamp. The contrast created by the fully-satinised surface of the head and the shining, polished aluminium arm is the icing on the cake for this design.



Designer
Material
Measurements
Weight

de Lucchi, Michele, 1999

Aluminium

H.max.73 x ø lampekop 11 cm
 bordklemme

1.50 kg

160 cm

1 x D45 40W/m, E14

1 x D45 25W/m, E14

1 x QD45 42W/c, E14,

Eco-Halogen

Delivery scope
Colours

uden belysningsmidler

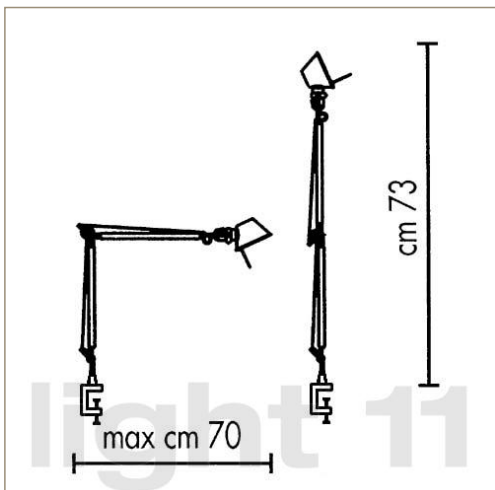
Poleret og eloxeret aluminium,

Blå, Bronze, Grå, Grøn, Gul,

Orange, Rød, Sort, Turkis

RRP ab € 173,-*

*Recommended retail price incl. 19% VAT, please ask for our updated prices.



Light directed downwards & Extras

